

THIS DRAWING IS UNPUBLISHED. RELEASED FOR PUBLICATION
 © COPYRIGHT - By - ALL RIGHTS RESERVED.

LOC	DIST	REVISIONS					
G	14	P	LTR	DESCRIPTION	DATE	DWN	APVD
			N2	REVISED PER ECO-11-004587	11MAR11	RK	HMR

D

D

C

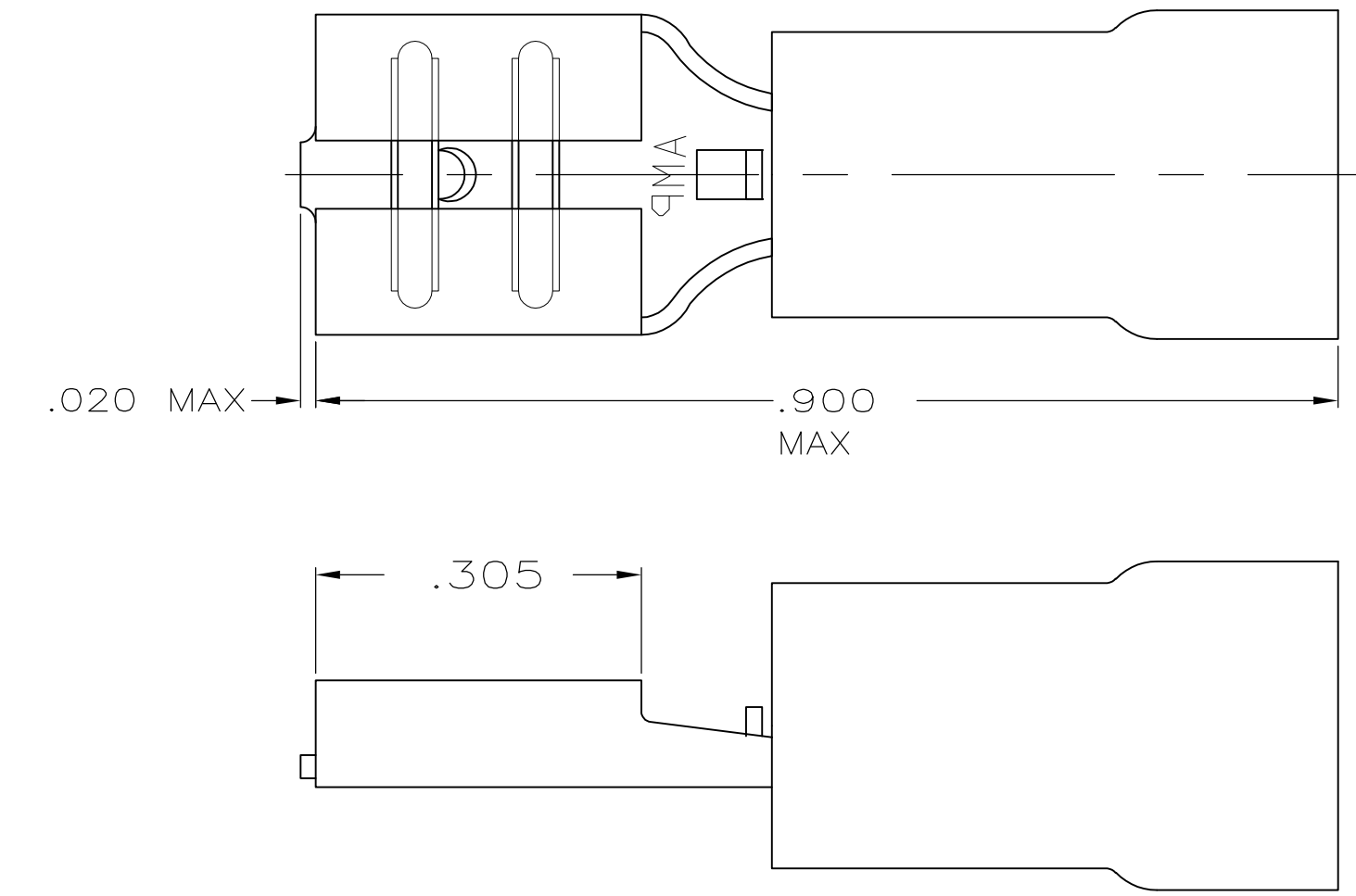
C

B

B

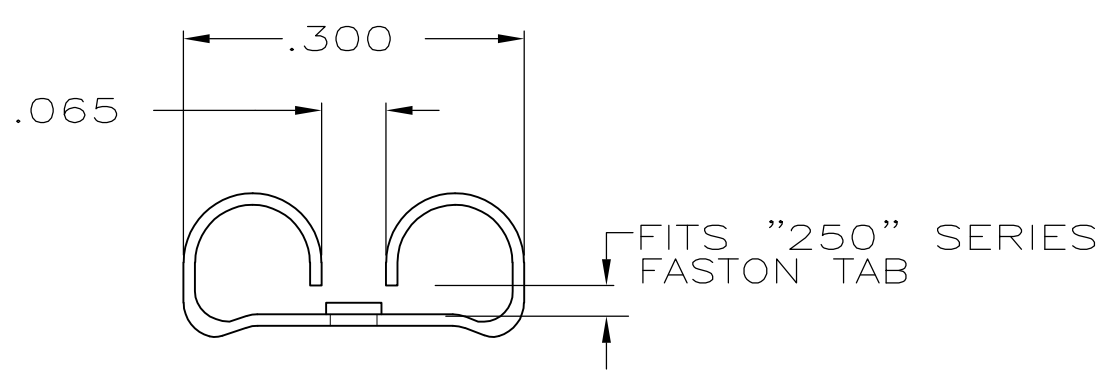
A

A



- 1. INSULATION DIA .170 MAX
- 2. FITS TAB .032 THK
- 3 PRELIMINARY - NOT FOR PRODUCTION

AMP WIRE RANGE	FILE E66717	LR7189 Certified
16-14 AWG STRANDED	16-14 AWG STRANDED	16-14 AWG STRANDED



3	LOOSE PC,BAG	3 8-640905-7
50	LOOSE PC,BAG	8-640905-6
5	LOOSE PC,BLS,SPL	8-640905-5
100	LOOSE PC,BOX	8-640905-1
3500	TAPE MOUNTED	640905-2
1000	LOOSE PIECE	640905-1
QTY	PACKAGE TYPE	PART NO

AMP INCORPORATED CUSTOMER SERVICE SYSTEMS		MAX RECOMMENDED OPERATING TEMPERATURE: 105°C	THIS DRAWING IS A CONTROLLED DOCUMENT.		DWN L OLMEDA 26JUN95	TE Connectivity				
FOR ADDITIONAL PRODUCT INFORMATION OR COPIES OF DRAWINGS AND TECHNICAL DOCUMENTS	PRODUCT INFORMATION CENTER 1-800-522-6752	VOLTAGE RATING: 300V MAX	DIMENSIONS: INCHES	TOLERANCES UNLESS OTHERWISE SPECIFIED:	CHK M ELLIS 26JUN95				NAME RECEPTACLE, 250 SERIES, FASTON , PIDG , 16-14	
FOR APPLICATION TOOLING INFORMATION	TOOLING ASSISTANCE CENTER 1-800-722-1111	CIRCULAR MIL AREA: 2,050-5,180 STRANDED		0 PLC ± - 1 PLC ± - 2 PLC ± .015 3 PLC ± - 4 PLC ± - ANGLES ± -	APVD B BARE 26JUN95	PRODUCT SPEC UL 310	SIZE	CAGE CODE	DRAWING NO	RESTRICTED TO
FOR ORDER ENTRY	1-800-526-5142		MATERIAL BODY,BRASS .018	FINISH BODY,TIN	APPLICATION SPEC 114-1002	WEIGHT -	A3	00779	C-640905	-
CUSTOMER DRAWING						SCALE 6:1	SHEET 1 OF 1	REV N2		