

- ▶ 5 x 7 Footprint
- ▶ 4 Pole Filter
- ▶ Tape & Reel Packaging



# ECS-75SMF

## SMD CRYSTAL FILTER

The ECS-75SMF Miniature SMD Monolithic Crystal Filter offers a narrow bandwidth and a 4 pole response in a 5 x 7 package.

### OPERATING CONDITIONS / ELECTRICAL CHARACTERISTICS

PART NUMBER *	CENTER FREQUENCY Fo	PASSBAND MIN.		STOPBAND MAX.		ATTENUATION GUARANTEED MIN.		RIPPLE MAX.	LOSS MAX.	TERMINATING IMPEDANCE	OPERATING TEMPERATURE	NO. OF POLES
	MHz	dB	KHz	dB	KHz	dB	KHz	dB	dB	$\Omega/pF$	$^{\circ}C$	
ECS-75SMF45A7.5B	45.000	3	$\pm 3.75$	30	$\pm 12.5$	80	-910	1.0	4.0	350//6.5	-30 ~ +80	4
ECS-75SMF45A20B	45.000	3	$\pm 10.0$	25	$\pm 25.0$	80	-910	1.0	3.0	500//2.5	-30 ~ +80	4
ECS-75SMF45A30B	45.000	3	$\pm 15.0$	30	$\pm 50.0$	80	-910	1.0	3.0	1000//1.0	-30 ~ +80	4
ECS-75SMF70.05A20B	70.050 *	3	$\pm 10.0$	20	$\pm 25.0$	70	-910	1.0	4.0	2500//1.0	-30 ~ +80	4

### PACKAGE DIMENSIONS (mm)

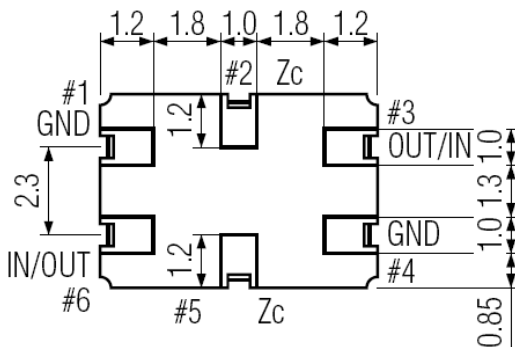
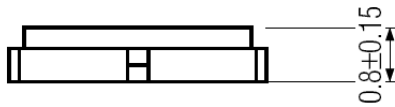
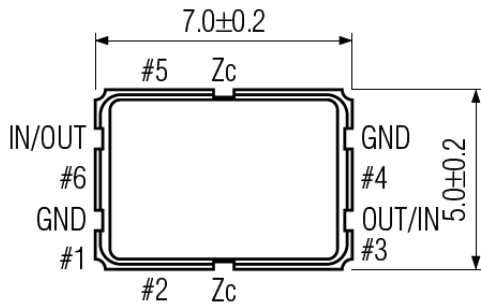


Figure 1) Top, Side and Bottom Views

PIN CONNECTIONS	
#1	Ground
#2	Zc
#3	Out/In
#4	Ground
#5	Zc
#6	In/Out

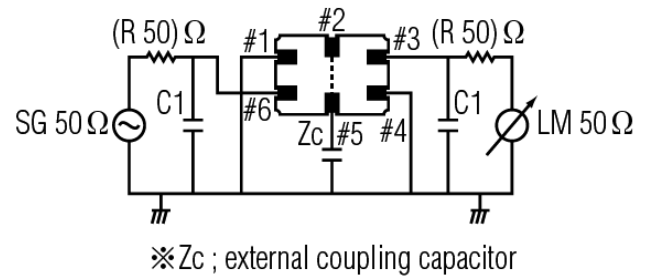


Figure 2) Test Circuit

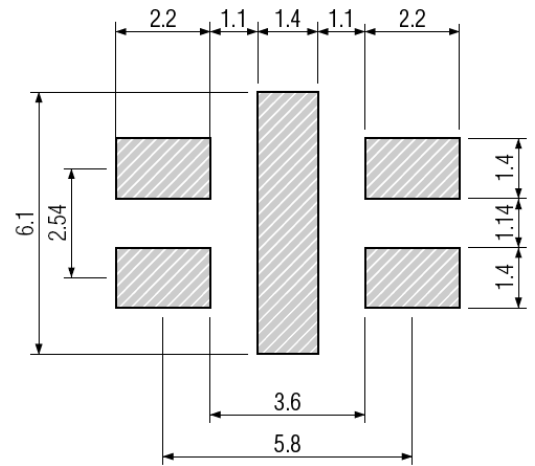


Figure 3) Land Pattern

Note: \* Indicates 3rd Overtone